

# Product Sheet



Item No. S H P K K W O 100 V O Z O D O N

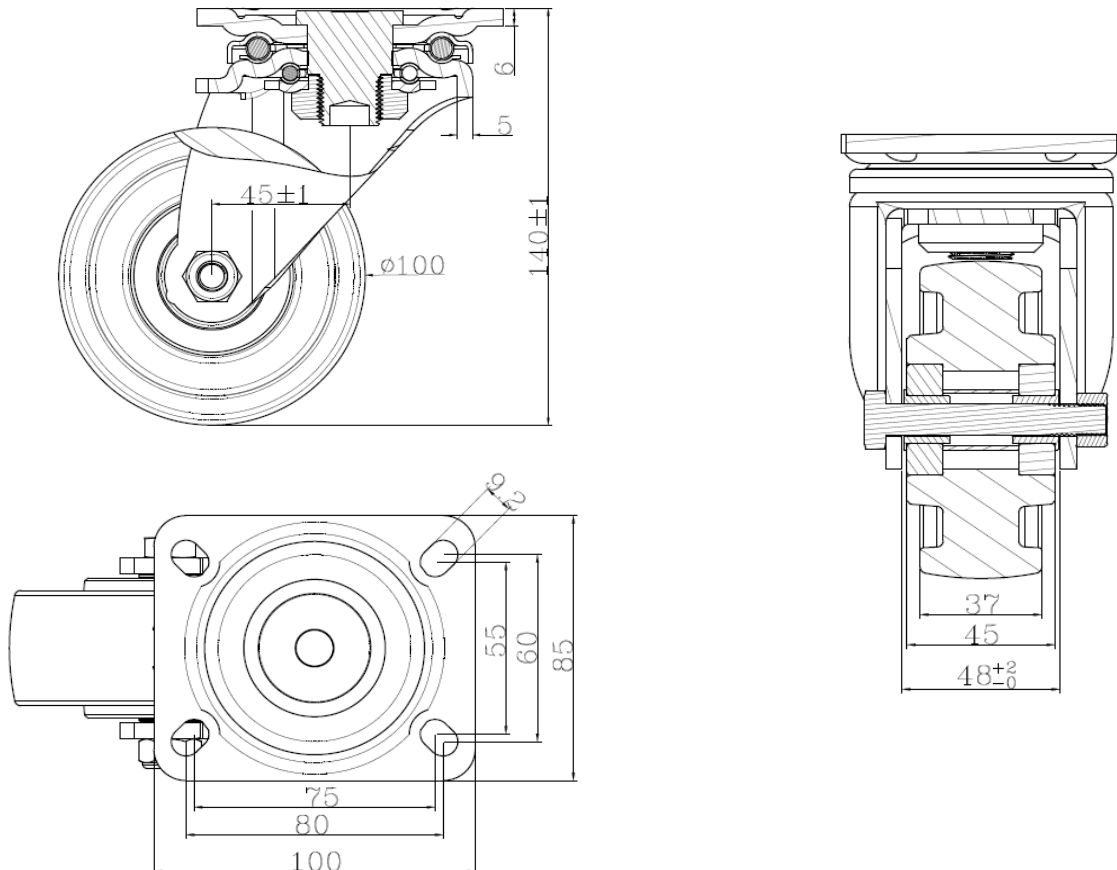
## housing / data

housing type	swivel castor
series	heavy duty
fixing type	fixing plate
hole dimensions / hub width	105x80/75 mm/48
thickness of fixing / fork	6.00 mm / 5.00 mm
surface treatment	galvanized blue zinc



## wheel / data

diameter	100 mm
wheel center	Polyamide (Heavy Duty) white
wheel tread	Polyamide (Heavy Duty) white
bearing	double ball bearing
threadguard	no separate threadguard
hub width	45 mm
axle diameter	M 10
temperature range	-40°C - +80°C
dyn. load capacity	500 kg
test norm	DIN EN 12533



Deviation possible! All information is subject to change.