

Product Sheet



Item No. S I P 2 6 S C 100 P 2 W 2 L 0 N

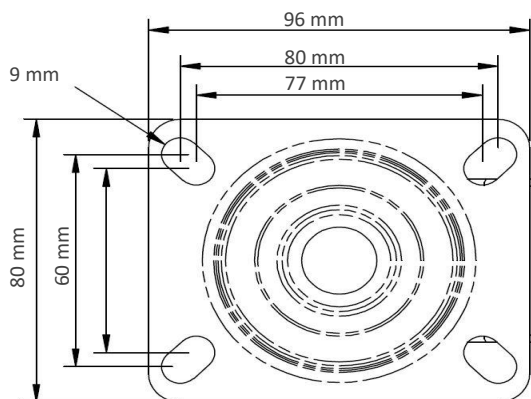
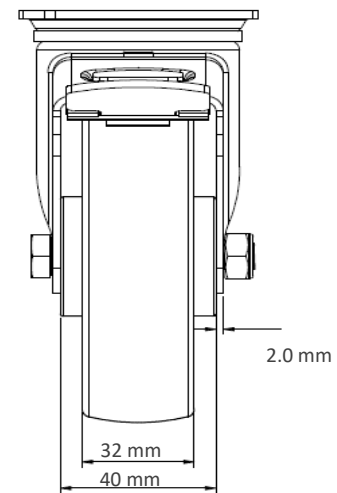
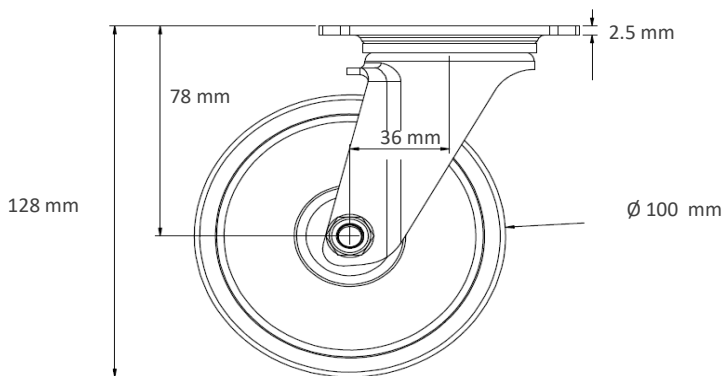
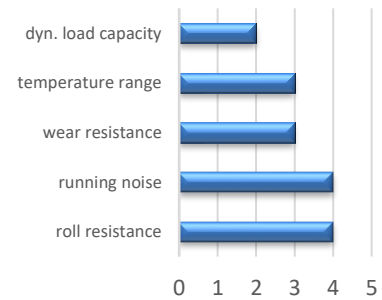
housing / data

housing type	swivel castor
series	CASCOO Innovation
fixing type	fixing plate
hole dimensions / hub width	80 x 60 mm / 42 mm
thickness of fixing / fork	2.50 mm / 2.00 mm
surface treatment	stainless steel



wheel / data

diameter	100 mm
wheel center	Polypropylene grey
wheel tread	thermopl. rubber 95° Shore A grey
bearing	plain bearing (stainless steel)
threadguard	no separate threadguard
hub width	40 mm
axle diameter	M8
temperature range	-20°C - +60°C
dyn. load capacity	100 kg
Test norm	DIN: EN 12532



Deviation possible! All information is subject to change.