

Product Sheet



Item No. S I P 3 6 S C 125 C 4 C 4 L 0 N

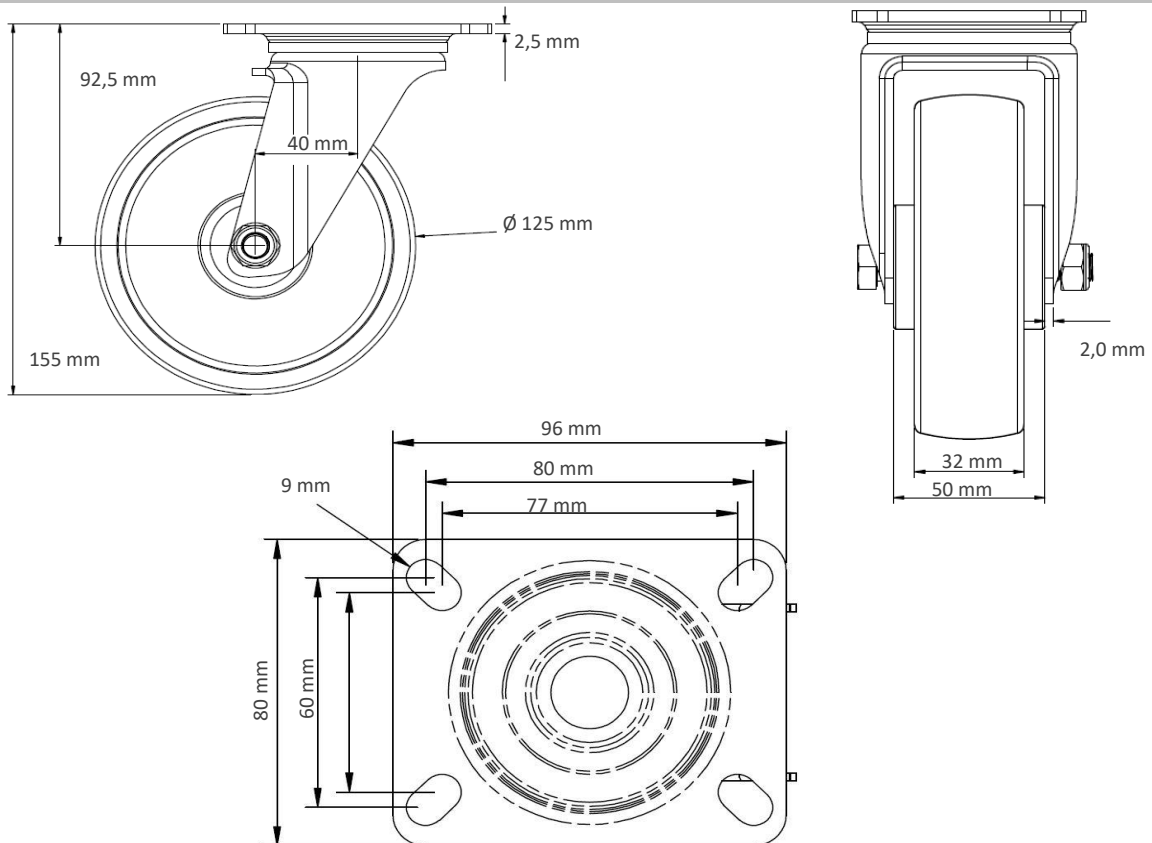
housing / data

housing type	swivel castor
series	CASCOO Innovation
fixing type	fixing plate
hole dimensions / hub width	80 x 60 mm / 52 mm
thickness of fixing / fork	2.50 mm / 2.00 mm
surface treatment	stainless steel



wheel / data

diameter	125 mm
wheel center	Polyamide with fiber glass black
wheel tread	Polyamide with fiber glass black
bearing	plain bearing stainless steel
threadguard	no separate threadguard
hub width	50 mm
axle diameter	M 8
temperature range	-20°C - +280°C
dyn. load capacity	130 kg
test norm	DIN: EN 12532



Deviation possible! All information is subject to change.