

# Product Sheet



Item No. S I P 3 6 S C 125 N 2 U 6 Q 0 N

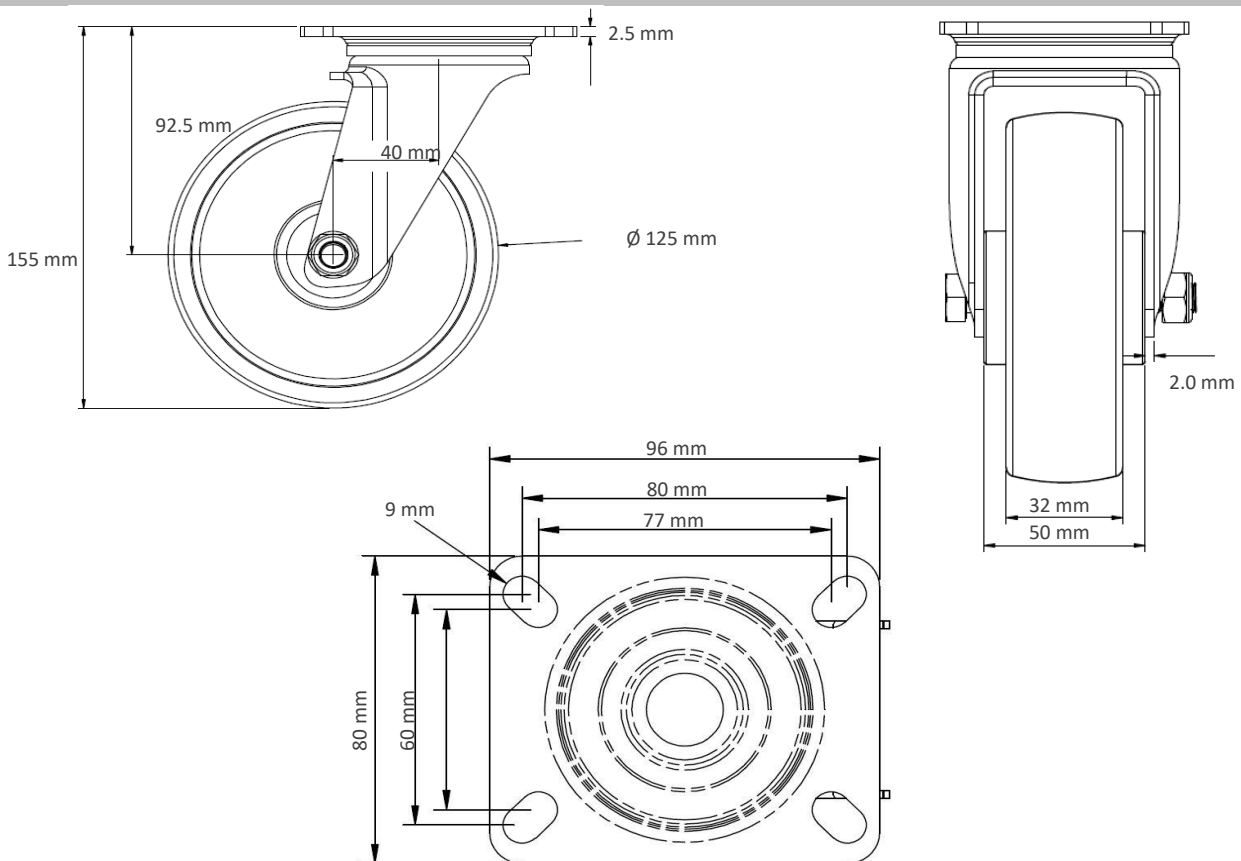
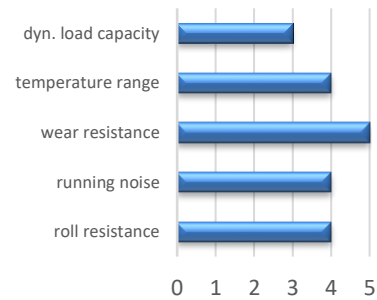
### housing / data

housing type	swivel castor
series	CASCOO Innovation
fixing type	fixing plate
hole dimensions / hub width	80 x 60 mm / 52 mm
thickness of fixing / fork	2.50 mm / 2.00 mm
surface treatment	stainless steel



### wheel / data

diameter	125 mm
wheel center	Polyamide grey
wheel tread	Polyurethane red
bearing	roller bearing (stainless steel)
threadguard	no separate threadguard
hub width	50 mm
axle diameter	M8
temperature range	-40°C - +80°C
dyn. load capacity	200 kg
test norm	DIN: EN 12532



Deviation possible! All information is subject to change.