

# Product Sheet



Item No.

S I P 3 6 S C 125 R 4 E 2 Q 0 N

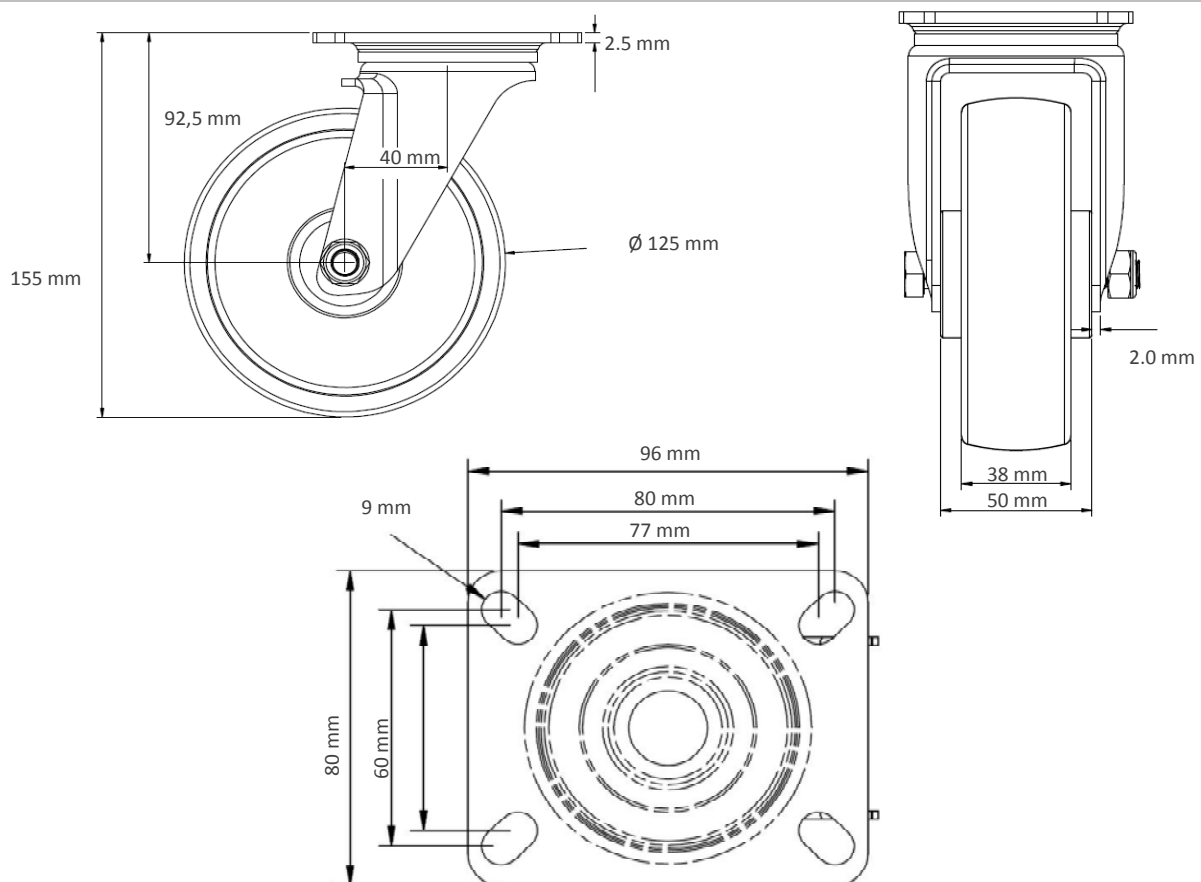
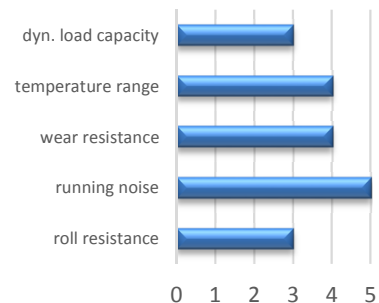
## housing / data

housing type	swivel castor
series	CASCOO Innovation
fixing type	fixing plate
hole dimensions / hub width	80 x 60 mm / 52 mm
thickness of fixing / fork	2.50 mm / 2.00 mm
surface treatment	stainless steel



## wheel / data

diameter	125 mm
wheel center	Polyamide black
wheel tread	elastic 65° Shore A grey
bearing	roller bearing (stainless steel)
threadguard	no separate threadguard
hub width	50 mm
axle diameter	M 8
temperature range	-20°C - +80°C
dyn. load capacity	200 kg



Deviation possible! All information is subject to change.