

Product Sheet



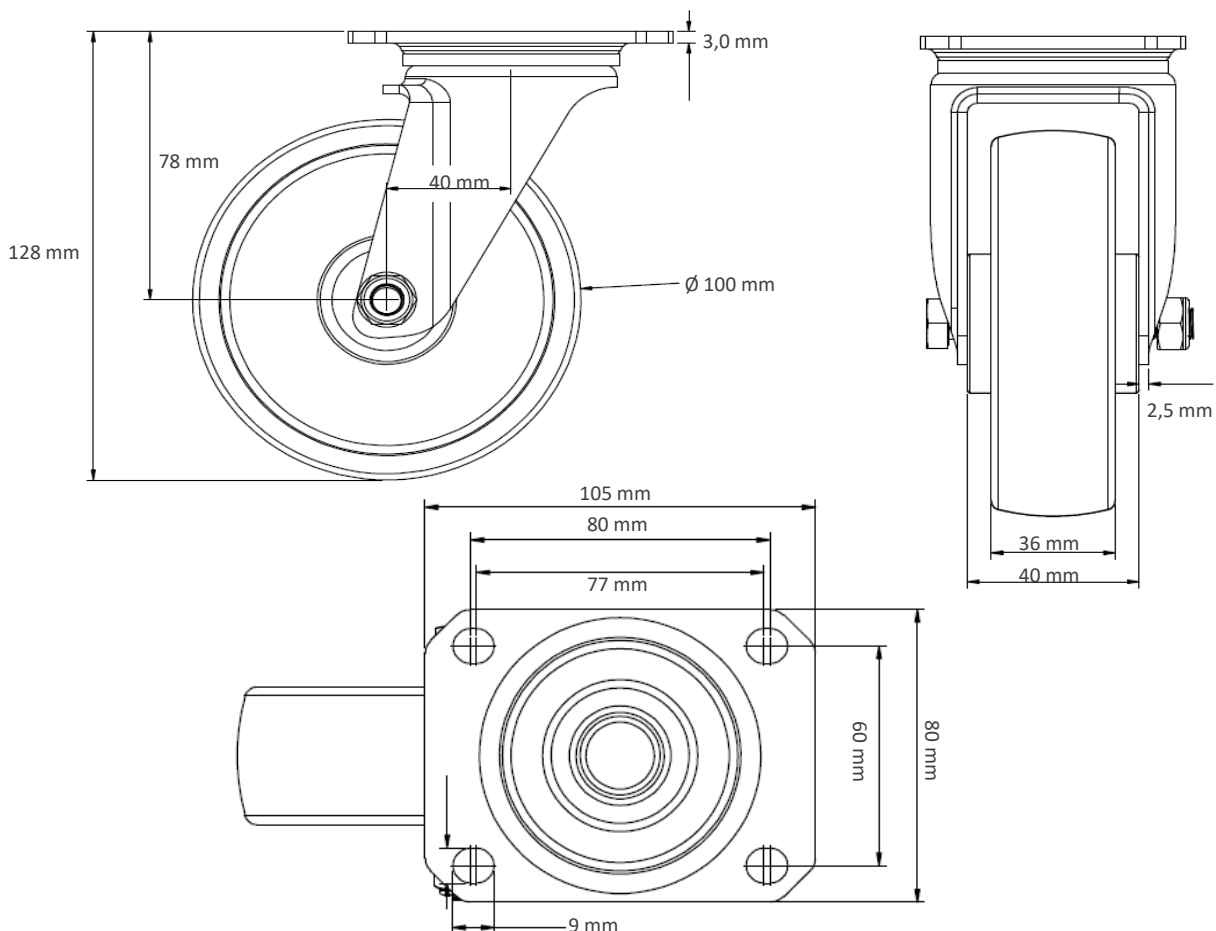
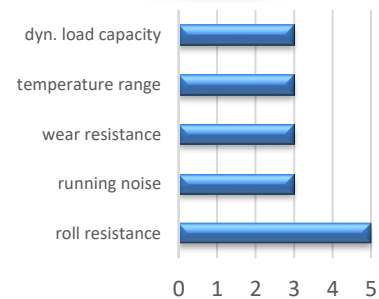
Item No. S P P 2 1 W C 100 T 6 P 2 R 1 W

housing / data

housing type	swivel castor
series	CASCOO Premium
fixing type	fixing plate
hole dimensions / hub width	80 x 60 mm / 42 mm
thickness of fixing / fork	3.00 mm / 2.50 mm
surface treatment	galvanized blue zinc

wheel / data

diameter	100 mm
wheel center	Sandwich Polypropylene red
wheel tread	Polypropylene grey
bearing	roller bearing
threadguard	small metal threadguard
hub width	40 mm
axle diameter	M 8
temperature range	-20°C - +80°C
dyn. load capacity	160 kg
test norm	DIN EN 12532



Deviation possible! All information is subject to change.