

Product Sheet



Item No. S P P 3 1 W C 125 M 6 N 2 R 3 2

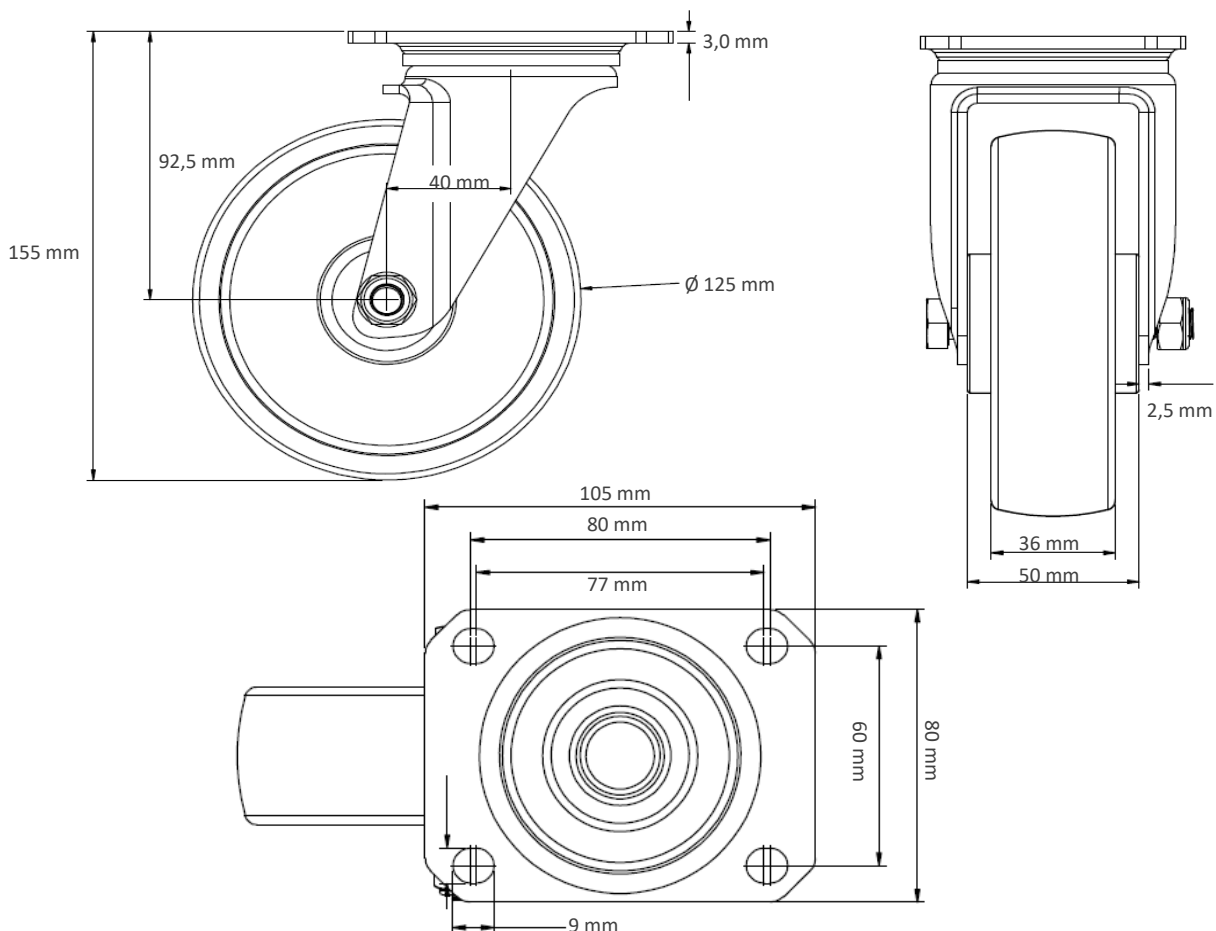
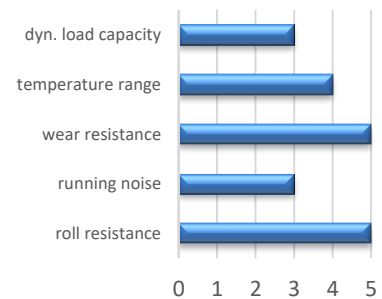
housing / data

housing type	swivel castor
series	CASCOO Premium
fixing type	fixing plate
hole dimensions / hub width	80 x 60 mm / 52 mm
thickness of fixing / fork	3.00 mm / 2.50 mm
surface treatment	galvanized blue zinc



wheel / data

diameter	125 mm
wheel center	Sandwich Polyamide red
wheel tread	Polyamide grey
bearing	roller bearing
threadguard	small plastic threadguard
hub width	50 mm
axle diameter	M 10
temperature range	-20°C - +80°C
dyn. load capacity	200 kg
test norm	DIN: EN 12532



Deviation possible! All information is subject to change.