

# Product Sheet



Item No. S P P 3 7 W C 100 A A U 5 D 0 N

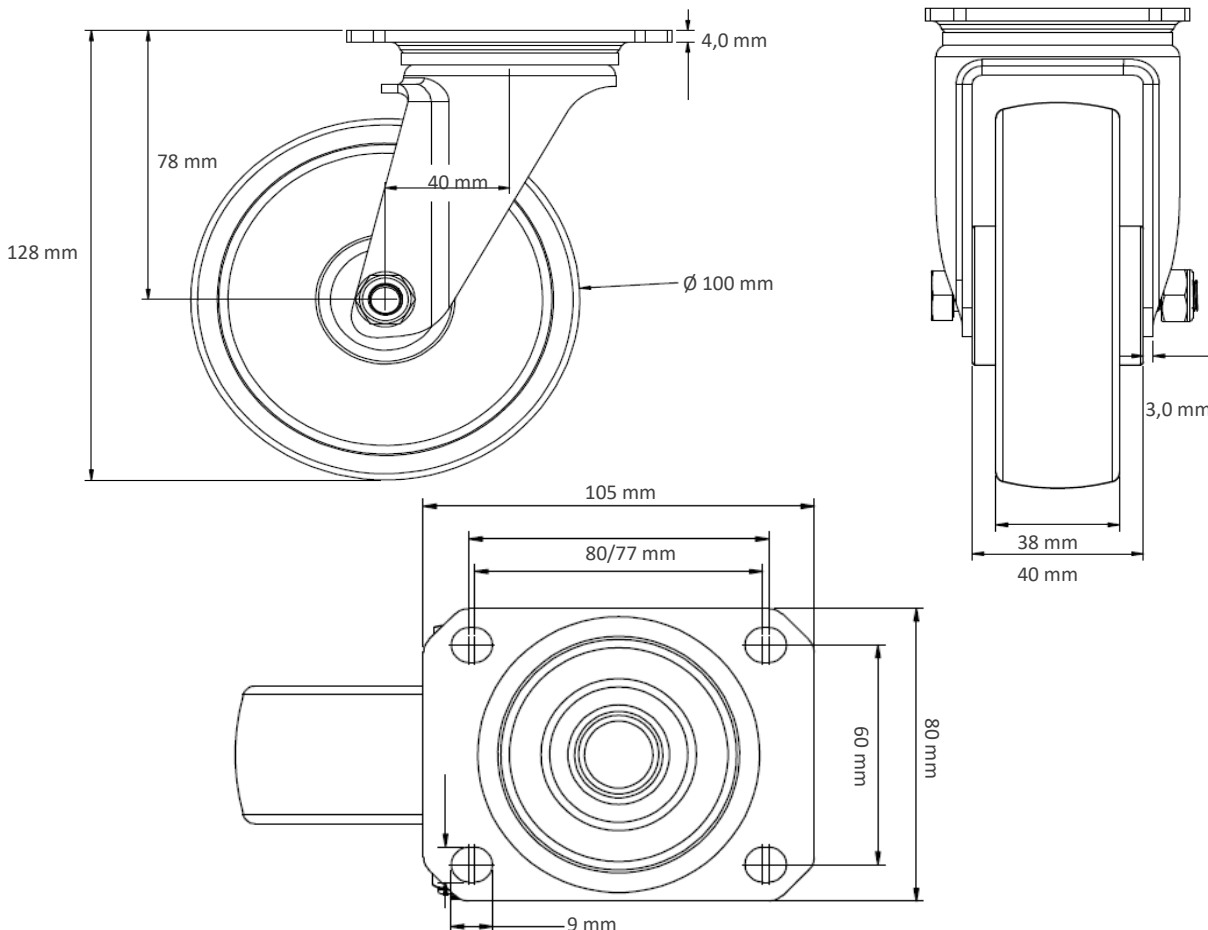
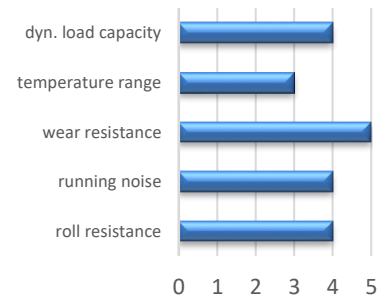
## housing / data

housing type	swivel castor
series	CASCOO Premium
fixing type	fixing plate
hole dimensions / hub width	80 x 60 mm / 52 mm
thickness of fixing / fork	4.00 mm / 3.00 mm
surface treatment	galvanized blue zinc



## wheel / data

diameter	100 mm
wheel center	Aluminium
wheel tread	Polyurethane brown
bearing	double ball bearing
threadguard	no separate threadguard
hub width	40 mm
axle diameter	M 8
temperature range	-20°C - +60°C
dyn. load capacity	250 kg
test norm	DIN: EN 12532



Deviation possible! All information is subject to change.