

# Product Sheet



Item No. S P P 5 8 W C 160 P 2 V 2 B 3 2

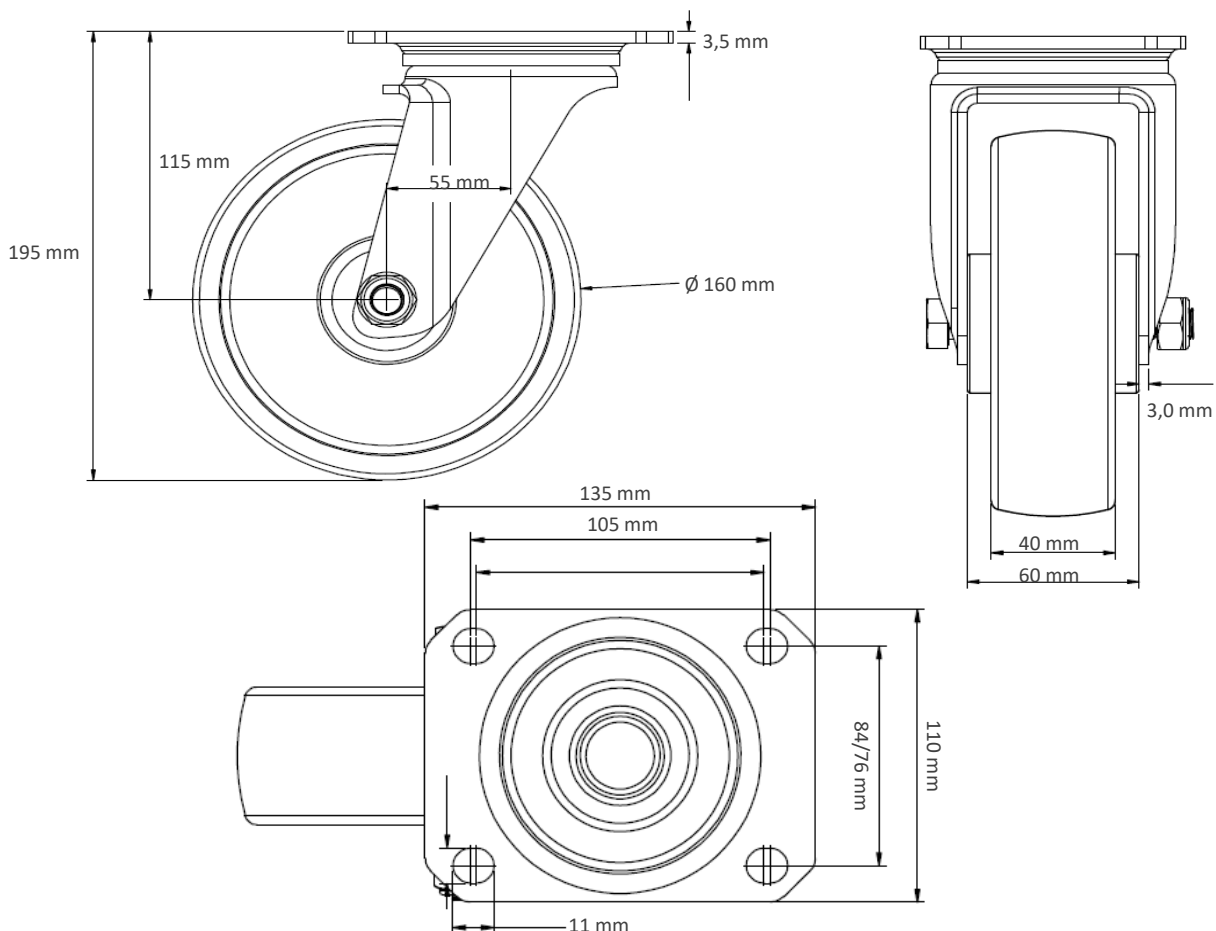
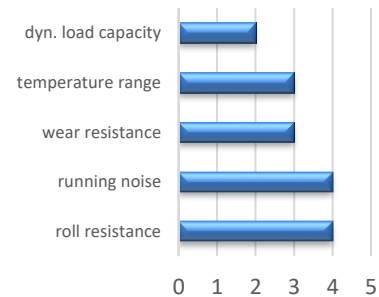
## housing / data

housing type	swivel castor
series	CASCOO Premium
fixing type	fixing plate
hole dimensions / hub width	105 x 80 mm / 60 mm
thickness of fixing / fork	3.50 mm / 3.00 mm
surface treatment	galvanized blue zinc



## wheel / data

diameter	160 mm
wheel center	Polypropylene grey
wheel tread	thermopl. rubber 85° Shore A grey
bearing	single ball bearing
threadguard	small plastic threadguard
hub width	60 mm
axle diameter	M 12
temperature range	-20°C - +60°C
dyn. load capacity	200 kg
test norm	DIN EN 12532



Deviation possible! All information is subject to change.