

Product Sheet



Item No. S W P 5 4 W C 250 S B S 4 R 0 N

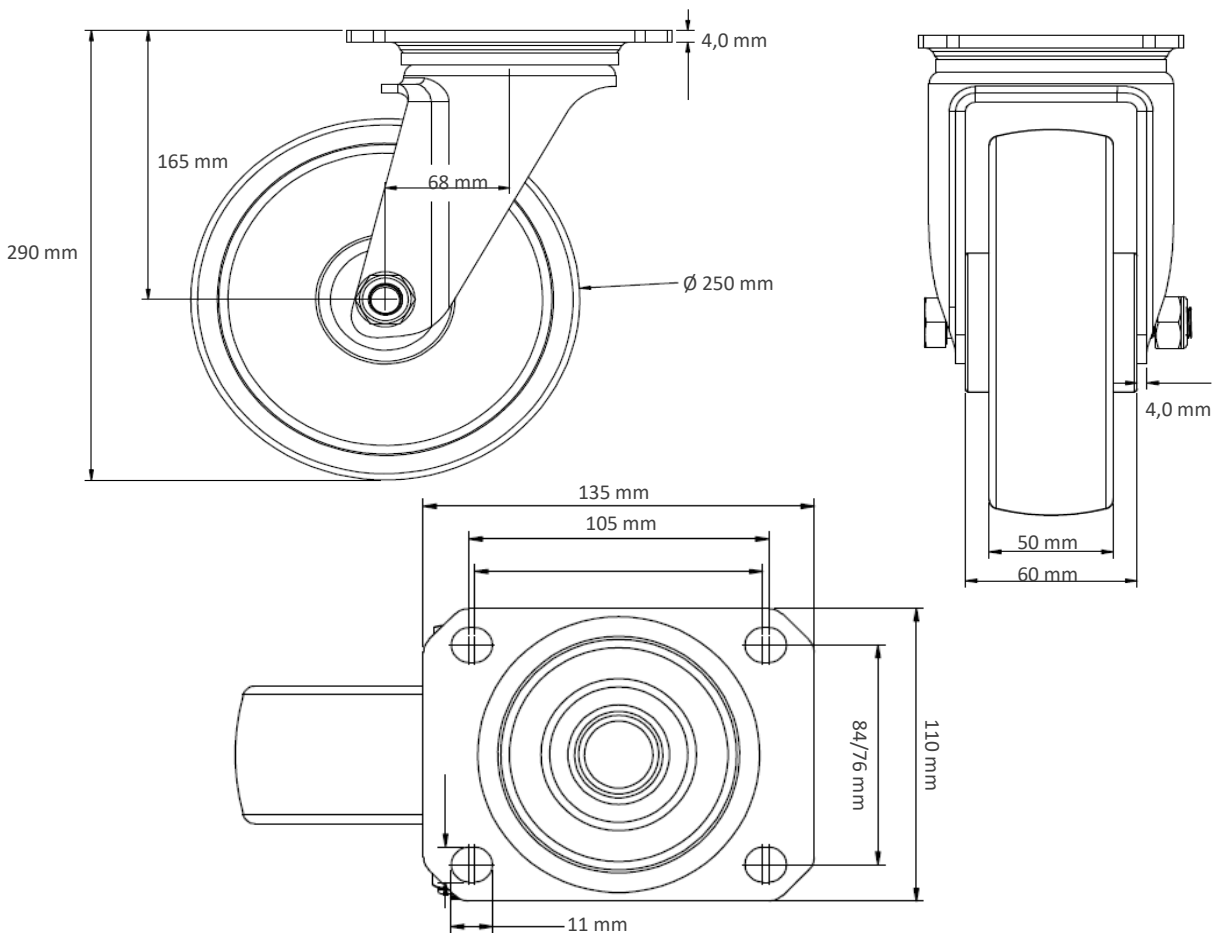
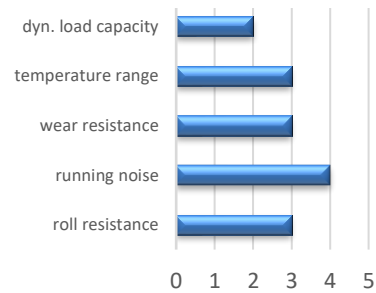
housing / data

housing type	swivel castor
series	waste bin
fixing type	fixing plate
hole dimensions / hub width	105 x 80 mm / 60 mm
thickness of fixing / fork	4.00 mm / 4.00 mm
surface treatment	galvanized blue zinc



wheel / data

diameter	250 mm
wheel center	Steel Rim black
wheel tread	solid rubber black
bearing	roller bearing
threadguard	no separate threadguard
hub width	60 mm
axle diameter	M 12
temperature range	-20°C - +60°C
dyn. load capacity	300 kg
test norm	DIN EN 12532



Deviation possible! All information is subject to change.