

Product Sheet



Item No. T C P J S P C 125 P 2 Q 2 B 4 2

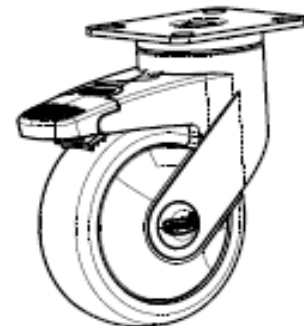
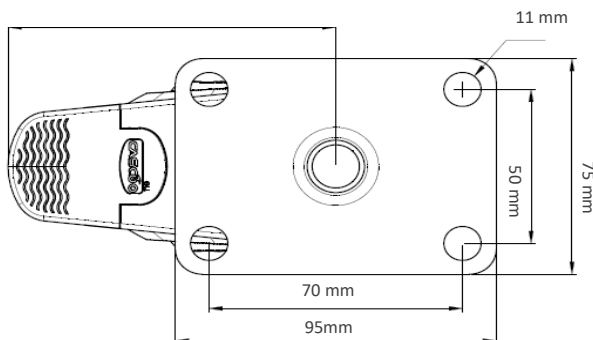
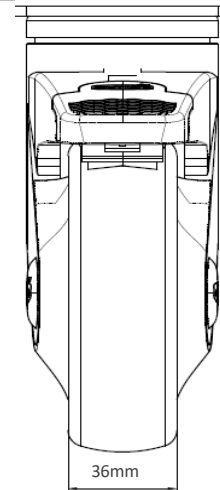
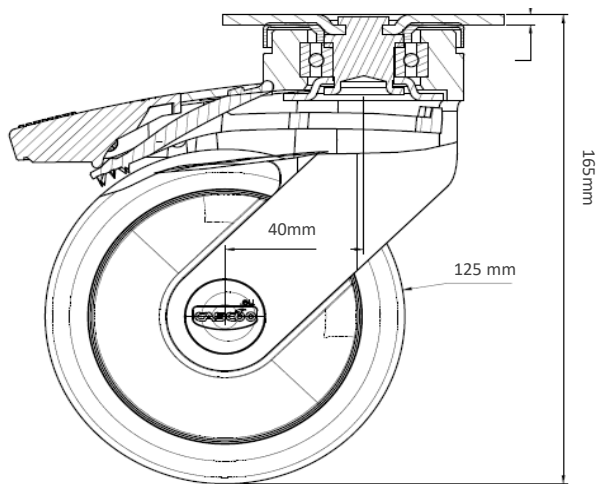
housing / data

housing type swivel castor with total brake
 series CASCOO Cara
 fixing type fixing plate
 hole dimensions / hub width 95 X 75 mm / 36 mm
 thickness of fixing / fork
 surface treatment PA grey with fiberglass particles



wheel / data

diameter 100 mm
 wheel center Polypropylene grey
 wheel tread TPR blue/grey 65°/85° Shore A
 bearing single ball bearing
 threadguard full covering plastic threadguard
 hub width 36 mm
 axle diameter M 11
 temperature range -20°C - +60°C
 dyn. load capacity 110 kg



Deviation possible! All information is subject to change.