

THPKKWC080DAU5D0N

SWIVEL CASTOR WITH TOTAL BRAKE Ø 80 MM SERIES DAU5 DOUBLE BALL BEARING

WHEEL

wheel diameter in mm	80
wheel width in mm	30
hub width in mm	47
screw size	M10
tread	polyurethane 95° shore A brown
wheel center	aluminium
bearing	double ball bearing
threadguard	without separate threadguard
temperature range	-20°C to +60°C



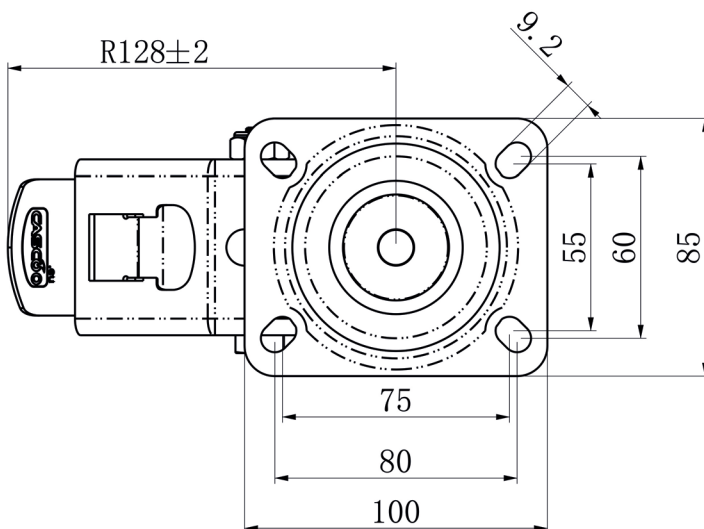
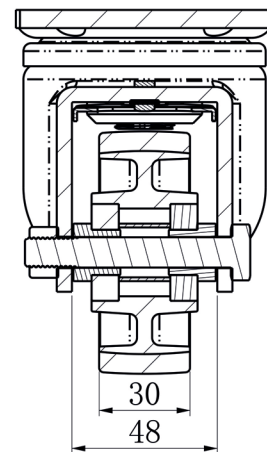
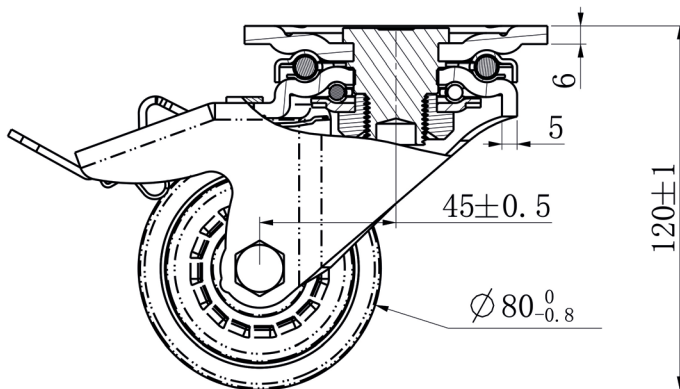
HOUSING

material thickness fitting in mm	6.00
material thickness fork in mm	5.00
fitting	plate
mounting dimension in mm	80 / 75 x 60 / 55 / 48
offset dimension in mm	45
total height in mm	120
swivel radius in mm	85
dyn. load capacity in kg	180
test norm	DIN EN 12533



THPKKWC080DAU5D0N

SWIVEL CASTOR WITH TOTAL BRAKE \varnothing 80 MM SERIES DAU5 DOUBLE BALL BEARING



CASCOO Europe GmbH

Lütke Haar 15 • 59602 Rüthen • Germany
+49 2952 - 970629-0
info@cascoo.eu • www.cascoo.eu