

Product Sheet



Item No. T P P 5 8 W C 160 N 0 N 0 R 1 W

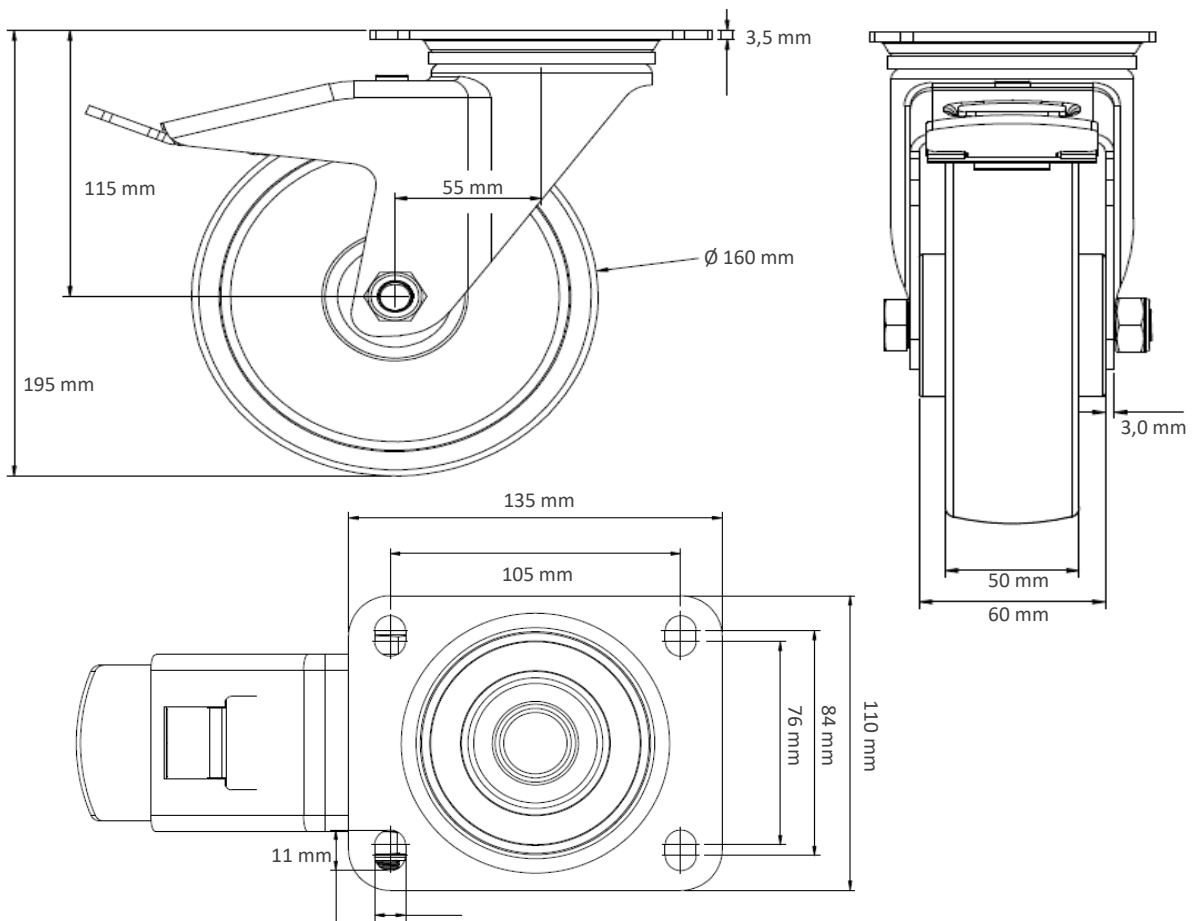
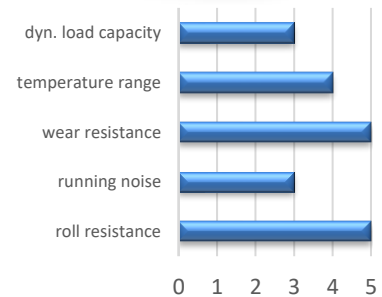
housing / data

| | |
|-----------------------------|--------------------------------|
| housing type | swivel castor with total brake |
| series | CASCOO Premium |
| fixing type | fixing plate |
| hole dimensions / hub width | 105 x 80 mm / 60 mm |
| thickness of fixing / fork | 3.50 mm / 3.00 mm |
| surface treatment | galvanized blue zinc |



wheel / data

| | |
|--------------------|-------------------------|
| diameter | 160 mm |
| wheel center | Polyamide white |
| wheel tread | Polyamide white |
| bearing | roller bearing |
| threadguard | small metal threadguard |
| hub width | 60 mm |
| axle diameter | M 12 |
| temperature range | -40°C - +80°C |
| dyn. load capacity | 300 kg |
| test norm | DIN: EN 12532 |



Deviation possible! All information is subject to change.